



# COOLEEDGE LUMINOUS CEILINGS BESPOKE LUMINAIRE GUIDE

PROJECT		REFERENCE TYPE	
SPECIFIED BY		QUANTITY	
DATE		NOTE	Luminous Ceilings

## DESCRIPTION

Cooledge Bespoke Luminaires enable the immersive illumination properties of our standard luminous ceiling products but with dimensions tailored to your exact requirements.

Features include exceptional acoustic performance, removable fabric, a range of light output options, sizes, and shapes, as well as the possibility of changing the finish color or adding your own graphic images.



## ILLUMINATION

CCT	<ul style="list-style-type: none"> <li>• 2200K, 2700K, 3000K, 3500K, 4000K, 5700K</li> <li>• TNW = 2200K-3500K, 2700K-5700K</li> <li>• DTW = 3500K-2200K</li> <li>• W+RGB</li> </ul>
CRI (Ra)	>90
Color Uniformity (Typical)	2 SDCM
Lumen Maintenance (L80)	75,000 hr

Contact Cooledge for Ordering Information and Specific Details

## GENERAL

Mounting Options	Suspended and Surface Mount – custom mounting configurations considered
Location	Indoor, dry location only
Operating Temperature	0 – 40°C (32 - 104°F)
Storage Temperature	-40 – +85°C (-40 - 185°F)
Relative Humidity	90% max (non-condensing)
Diffuser Material	Woven Polyester Fabric (coated)
Frame Material	Aluminum
Fire Rating	ASTM E84 Class A/EN:3501-1 Class B



**RoHS**

# COOLEGE LUMINOUS CEILINGS BESPOKE LUMINAIRE GUIDE

## PHOTOMETRICS

### LIGHT OUTPUT

Flux – lm/sqft (lm/m <sup>2</sup> )*			
Extra High Flux (XHF)	High Flux (HF)	Medium (MF)	Low Flux (LF)
600 (6400)	400 (4250)	200 (2050)	100 (1050)

\*Approximate. Actual values may change based on luminaire size  
Other options available - contact Coolege

### TM-30-15 DATA

Index	TNW*	3000K	3500K	4000K
Rf	90	89	88	87
Rg	99	97	97	96

\*TNW = Tunable White 2700K-5700K (both channels @50%)

For more details about color rendering properties, please see "Light Quality Metrics" at [www.cooledgelighting.com](http://www.cooledgelighting.com)

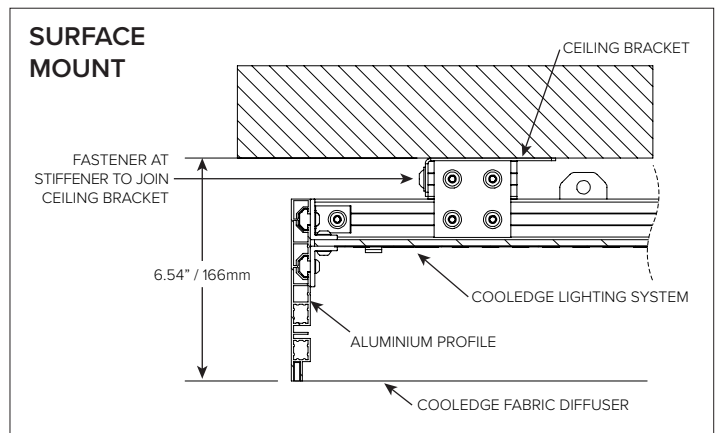
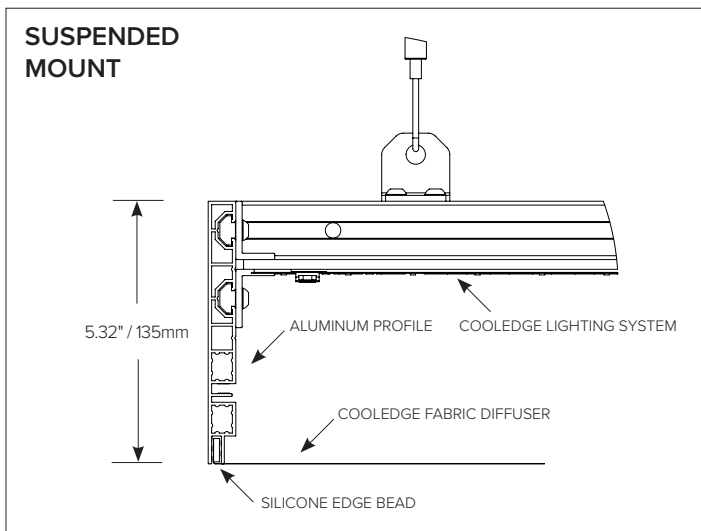
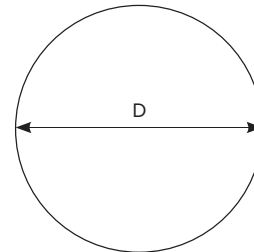
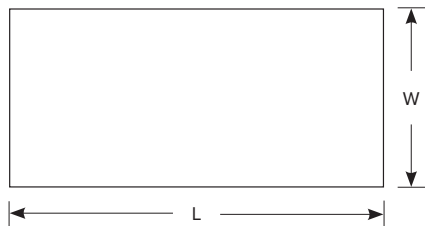
## ACOUSTIC PERFORMANCE

Mounting Type	Noise Reduction Coefficient	Sound Absorption Average	Weighted Sound Absorption Coefficient (ISO EN11654)
	<b>NRC</b>	<b>SAA</b>	<b><math>\alpha_w</math></b>
Suspended	0.90	0.91	0.90
Surface Mount	0.60	0.62	0.45 (M)

## DIMENSIONS (NOTE: CONTACT COOLEGE FOR OTHER SHAPES)

Dimension	Maximum	Minimum
Length (L)	118" (3000mm)	11.8" (300mm)
Width (W)	78.5" (1995mm)	6" (150mm)

Dimension	Maximum	Minimum
Diameter (D)	78.5" (1995mm)	30" (760mm)



ELECTRICAL & CONTROL

Electrical Performance		Controls	
Input Voltage	120-277 VAC	Minimum Dim Level – Single CCT	0.10%
Input Frequency	Nom. 50-60 Hz	Minimum Dim Level - Tunable	0.10%
Operating Frequency	3000-3950Hz (compliant with IEEE 1789-2015 for flicker free)	Control Protocols	0/1-10V, DMX, Wireless (Casambi), DALI
Start-up Time	1.0 sec		
Max. Inrush Current	35-75 A		
Rated Lifetime	60,000-70,000 hr		

BESPOKE DESIGN CHECKLIST

Dimensions - Rectangles

Length \_\_\_\_\_ (min. = 11.8"/300mm; max = 118"/3000mm)  
 Width \_\_\_\_\_ (min. = 6"/150mm; max = 78.5"/1995mm)

Dimension – Circles

Diameter \_\_\_\_\_ (min. = 30"/760mm; max = 78.5"/1995mm)

Mounting Type

- Suspended
- Surface Mount
- Recessed
- Other

Finish Color

- Black
- White
- Custom

Light Output

- XHF
- HF
- MF
- LF
- Other

Color Temperature

- 2200K
- 2700K
- 3000K
- 3500K
- 4000K
- 5700K
- TNW  
2700K-5700K
- TNW  
2200K-3500K
- DTW
- W+RGB

Diffuser

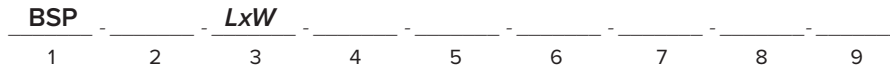
- Standard Smooth White
- Textured (Cotton) Fabric
- Waffle Contour
- Faux Perforated Metal
- Custom Graphics
- Other Shapes  
(Contact Cooledge)

**NOTE:** All luminaires are compatible with 0-10V control protocol. Other options include DALI, DMX, and Casambi (wireless). Not all protocol options are available for all regions and configurations. Please contact Cooledge for details.

# COOLEGE LUMINOUS CEILINGS BESPOKE LUMINAIRE GUIDE

## HOW TO SPECIFY

By definition, Cooledge Bespoke Luminaires are custom products. The Specification Codes below are provided for use as simple references to Cooledge Bespoke Luminaires in specifications and/or construction documents. Specification Codes are NOT ordering codes. In order to receive quotations or purchase these products from Cooledge, specific design details are required, and Cooledge may request additional project or site information before issuing a quotation or accepting a purchase order.



### 1 PRODUCT

**BSP = Bespoke Luminaire**

### 2 SHAPE

**REC = Rectangle**  
**CIR = Circle**  
**BLN = Bullnose**  
**CRV = Curved Corners**  
**IRR = Irregular**

### 3 DIMENSIONS

Nominal Length  
 x Nominal Width  
 (enter values  
 with units)

### 4 MOUNTING

**SU = Suspended**  
**SM = Surface Mt.**  
**NS = Non-Standard**

### 5 FLUX

**XHF = Extra High Flux**  
**HF = High Flux**  
**MF = Medium Flux**  
**LF = Low Flux**

### 6 CCT

**22 = 2200K**  
**27 = 2700K**  
**30 = 3000K**  
**35 = 3500K**  
**40 = 4000K**  
**57 = 5700K**  
**TNW = Tunable White**  
**DTW = Dim To Warm**  
**W+RGB = White + Red Green Blue**

### 7 FINISH

**B = Black**  
**W = White**  
**C = Custom**

### 8 DIFFUSER

**STD = Smooth White**  
**TXT = Textured White**  
**WAF = Waffle Contour White**  
**FPRF-x = Faux Perforated Metal - Pattern x (printed)**  
**GRPH = Custom Graphic Image (printed)**

### 9 CONTROL

**010 = 0-10V**  
**DAL = DALI**  
**DMX = DMX**  
**CAS = Casambi (Wireless)**

Use the space below to add details that Cooledge will need to know in order to provide a quotation such as irregular shape, custom graphics, non-standard mounting type, custom finish color, etc.

Additional Information